



Installation Instructions
Inline Single Check Backflow Preventers/Device

701 Series - Model Number Explanation

SPACE 1, 2, & 3
Basic single check valve
model number:
 701 = Inline Valve

SPACE 4
 (-) Standard

SPACE 5
Single check valve size:
 3 = 3/4"

SPACE 6
Inlet connection type:
 E = Female national pipe thread integral
 S = CTS PE Handyloc Compression Integral
 T = CTS T - Compression integral
 U = CTS G - Compression integral
 V = CTS Q - Compression integral
 2 = CTS -22 - Compression integral

SPACE 7
Outlet connection type:
 E = Female iron pipe thread integral
 S = CTS PE Handyloc Compression Integral
 T = CTS T - Compression integral
 U = CTS G - Compression integral
 V = CTS Q - Compression integral
 2 = CTS -22 - Compression integral

HOW TO ORDER Not all sizes or combinations available - contact factory.

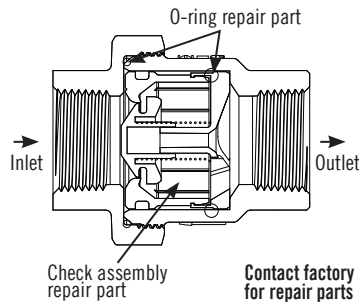
UNIT REQUIRED (Example): - Inline style valve - Inlet - FNPT integral 3/4"
 - Valve size 3/4" - Outlet - FNPT integral 3/4"

Order Model 701-3EE 33

SPACE 1, 2, & 3	SPACE 4	SPACE 5	SPACE 6	SPACE 7	SPACE 8	SPACE 9	SPACE 10
701	-	3	E	E		3	3

(Installation and test procedures on opposite side)

COMPONENTS and REPAIR PARTS



SPACE 8
 Blank

SPACE 9
Sizes for inlet connections
 3/4" = 3

SPACE 10
Sizes for outlet connections
 3/4" = 3



Installation Instructions
Inline Single Check Backflow Preventers/Device

701 Series - Model Number Explanation

SPACE 1, 2, & 3
Basic single check valve
model number:
 701 = Inline Valve

SPACE 4
 (-) Standard

SPACE 5
Single check valve size:
 3 = 3/4"

SPACE 6
Inlet connection type:
 E = Female national pipe thread integral
 S = CTS PE Handyloc Compression Integral
 T = CTS T - Compression integral
 U = CTS G - Compression integral
 V = CTS Q - Compression integral
 2 = CTS -22 - Compression integral

SPACE 7
Outlet connection type:
 E = Female iron pipe thread integral
 S = CTS PE Handyloc Compression Integral
 T = CTS T - Compression integral
 U = CTS G - Compression integral
 V = CTS Q - Compression integral
 2 = CTS -22 - Compression integral

HOW TO ORDER Not all sizes or combinations available - contact factory.

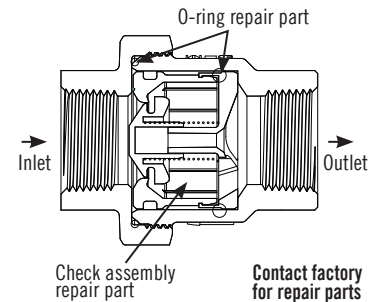
UNIT REQUIRED (Example): - Inline style valve - Inlet - FNPT integral 3/4"
 - Valve size 3/4" - Outlet - FNPT integral 3/4"

Order Model 701-3EE 33

SPACE 1, 2, & 3	SPACE 4	SPACE 5	SPACE 6	SPACE 7	SPACE 8	SPACE 9	SPACE 10
701	-	3	E	E		3	3

(Installation and test procedures on opposite side)

COMPONENTS and REPAIR PARTS



SPACE 8
 Blank

SPACE 9
Sizes for inlet connections
 3/4" = 3

SPACE 10
Sizes for outlet connections
 3/4" = 3



Installation Instructions
Inline Single Check Backflow Preventers/Device

701 Series - Model Number Explanation

SPACE 1, 2, & 3
Basic single check valve
model number:
 701 = Inline Valve

SPACE 4
 (-) Standard

SPACE 5
Single check valve size:
 3 = 3/4"

SPACE 6
Inlet connection type:
 E = Female national pipe thread integral
 S = CTS PE Handyloc Compression Integral
 T = CTS T - Compression integral
 U = CTS G - Compression integral
 V = CTS Q - Compression integral
 2 = CTS -22 - Compression integral

SPACE 7
Outlet connection type:
 E = Female iron pipe thread integral
 S = CTS PE Handyloc Compression Integral
 T = CTS T - Compression integral
 U = CTS G - Compression integral
 V = CTS Q - Compression integral
 2 = CTS -22 - Compression integral

HOW TO ORDER Not all sizes or combinations available - contact factory.

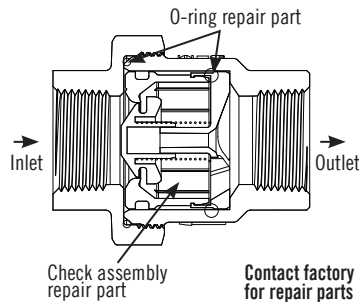
UNIT REQUIRED (Example): - Inline style valve - Inlet - FNPT integral 3/4"
 - Valve size 3/4" - Outlet - FNPT integral 3/4"

Order Model 701-3EE 33

SPACE 1, 2, & 3	SPACE 4	SPACE 5	SPACE 6	SPACE 7	SPACE 8	SPACE 9	SPACE 10
701	-	3	E	E		3	3

(Installation and test procedures on opposite side)

COMPONENTS and REPAIR PARTS



SPACE 8
 Blank

SPACE 9
Sizes for inlet connections
 3/4" = 3

SPACE 10
Sizes for outlet connections
 3/4" = 3



Installation Instructions
Inline Single Check Backflow Preventers/Device

701 Series - Model Number Explanation

SPACE 1, 2, & 3
Basic single check valve
model number:
 701 = Inline Valve

SPACE 4
 (-) Standard

SPACE 5
Single check valve size:
 3 = 3/4"

SPACE 6
Inlet connection type:
 E = Female national pipe thread integral
 S = CTS PE Handyloc Compression Integral
 T = CTS T - Compression integral
 U = CTS G - Compression integral
 V = CTS Q - Compression integral
 2 = CTS -22 - Compression integral

SPACE 7
Outlet connection type:
 E = Female iron pipe thread integral
 S = CTS PE Handyloc Compression Integral
 T = CTS T - Compression integral
 U = CTS G - Compression integral
 V = CTS Q - Compression integral
 2 = CTS -22 - Compression integral

HOW TO ORDER Not all sizes or combinations available - contact factory.

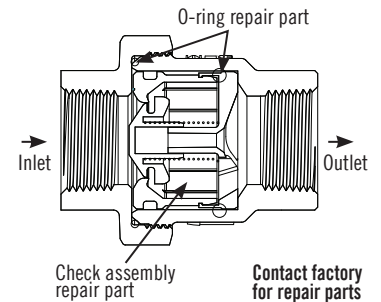
UNIT REQUIRED (Example): - Inline style valve - Inlet - FNPT integral 3/4"
 - Valve size 3/4" - Outlet - FNPT integral 3/4"

Order Model 701-3EE 33

SPACE 1, 2, & 3	SPACE 4	SPACE 5	SPACE 6	SPACE 7	SPACE 8	SPACE 9	SPACE 10
701	-	3	E	E		3	3

(Installation and test procedures on opposite side)

COMPONENTS and REPAIR PARTS



SPACE 8
 Blank

SPACE 9
Sizes for inlet connections
 3/4" = 3

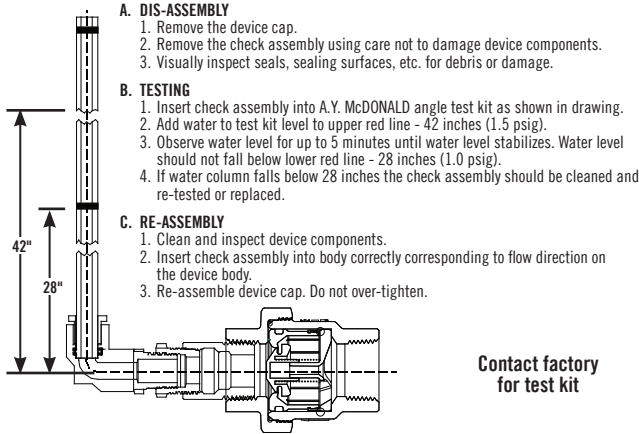
SPACE 10
Sizes for outlet connections
 3/4" = 3



Installation Instructions Inline Single Check Backflow Preventers/Device

1. Use only for residential and mobile home supply service or individual outlets.
2. The device can be installed in any position.
3. The device shall be installed in an accessible location to facilitate the removal for servicing and testing.
4. Service lines should be thoroughly flushed before installing the device. Excessive pipe sealant or Teflon tape may foul check. A suitable strainer should be installed upstream of the device.
5. DO NOT use Vaseline®, plumber's grease, or any other petroleum based product on seals or O-rings.
6. Insure that device is installed in proper flow direction. Refer to flow direction arrow on body.
7. Do not over-tighten O-ring cap seal or across body cylinder to avoid distortion.
8. Any sweat fittings must be completed before installing device.
9. A pressure relief valve or expansion tank is recommended downstream of device if thermal expansion conditions are possible.
10. Use only on cold water services. Protect from freezing.
11. This device is not recommended for pressures exceeding 175 PSI.

FIELD INSPECTION AND TEST PROCEDURE



WARNING: It is unlawful in CALIFORNIA & VERMONT (effective 1/1/2010); MARYLAND (effective 1/1/2012); LOUISIANA (effective 1/1/2013) and the UNITED STATES OF AMERICA (effective 1/4/2014) to use any product in the installation or repair of any public water system or any plumbing in a facility or system that provides water for human consumption if the wetted surface area of the product has a weighted average lead content greater than 0.25%. This prohibition does not extend to service saddles used in California, Louisiana or under USA Public Law 111-380.

3210-427

800.292.2737 | sales@aymcdonald.com | aymcdonald.com

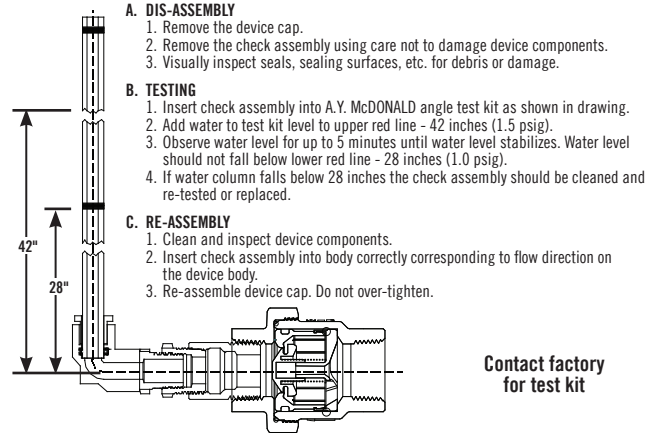
4/22



Installation Instructions Inline Single Check Backflow Preventers/Device

1. Use only for residential and mobile home supply service or individual outlets.
2. The device can be installed in any position.
3. The device shall be installed in an accessible location to facilitate the removal for servicing and testing.
4. Service lines should be thoroughly flushed before installing the device. Excessive pipe sealant or Teflon tape may foul check. A suitable strainer should be installed upstream of the device.
5. DO NOT use Vaseline®, plumber's grease, or any other petroleum based product on seals or O-rings.
6. Insure that device is installed in proper flow direction. Refer to flow direction arrow on body.
7. Do not over-tighten O-ring cap seal or across body cylinder to avoid distortion.
8. Any sweat fittings must be completed before installing device.
9. A pressure relief valve or expansion tank is recommended downstream of device if thermal expansion conditions are possible.
10. Use only on cold water services. Protect from freezing.
11. This device is not recommended for pressures exceeding 175 PSI.

FIELD INSPECTION AND TEST PROCEDURE



WARNING: It is unlawful in CALIFORNIA & VERMONT (effective 1/1/2010); MARYLAND (effective 1/1/2012); LOUISIANA (effective 1/1/2013) and the UNITED STATES OF AMERICA (effective 1/4/2014) to use any product in the installation or repair of any public water system or any plumbing in a facility or system that provides water for human consumption if the wetted surface area of the product has a weighted average lead content greater than 0.25%. This prohibition does not extend to service saddles used in California, Louisiana or under USA Public Law 111-380.

3210-427

800.292.2737 | sales@aymcdonald.com | aymcdonald.com

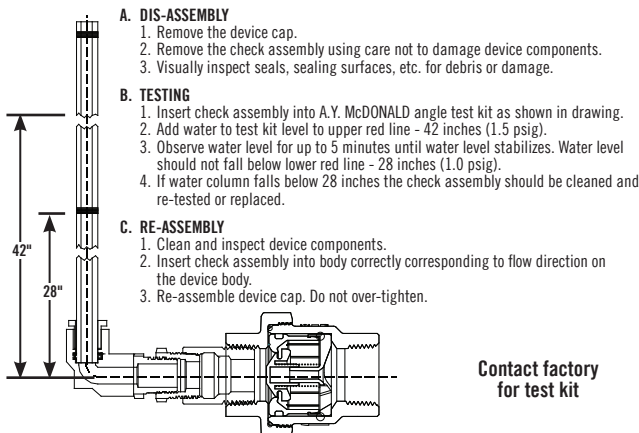
4/22



Installation Instructions Inline Single Check Backflow Preventers/Device

1. Use only for residential and mobile home supply service or individual outlets.
2. The device can be installed in any position.
3. The device shall be installed in an accessible location to facilitate the removal for servicing and testing.
4. Service lines should be thoroughly flushed before installing the device. Excessive pipe sealant or Teflon tape may foul check. A suitable strainer should be installed upstream of the device.
5. DO NOT use Vaseline®, plumber's grease, or any other petroleum based product on seals or O-rings.
6. Insure that device is installed in proper flow direction. Refer to flow direction arrow on body.
7. Do not over-tighten O-ring cap seal or across body cylinder to avoid distortion.
8. Any sweat fittings must be completed before installing device.
9. A pressure relief valve or expansion tank is recommended downstream of device if thermal expansion conditions are possible.
10. Use only on cold water services. Protect from freezing.
11. This device is not recommended for pressures exceeding 175 PSI.

FIELD INSPECTION AND TEST PROCEDURE



WARNING: It is unlawful in CALIFORNIA & VERMONT (effective 1/1/2010); MARYLAND (effective 1/1/2012); LOUISIANA (effective 1/1/2013) and the UNITED STATES OF AMERICA (effective 1/4/2014) to use any product in the installation or repair of any public water system or any plumbing in a facility or system that provides water for human consumption if the wetted surface area of the product has a weighted average lead content greater than 0.25%. This prohibition does not extend to service saddles used in California, Louisiana or under USA Public Law 111-380.

3210-427

800.292.2737 | sales@aymcdonald.com | aymcdonald.com

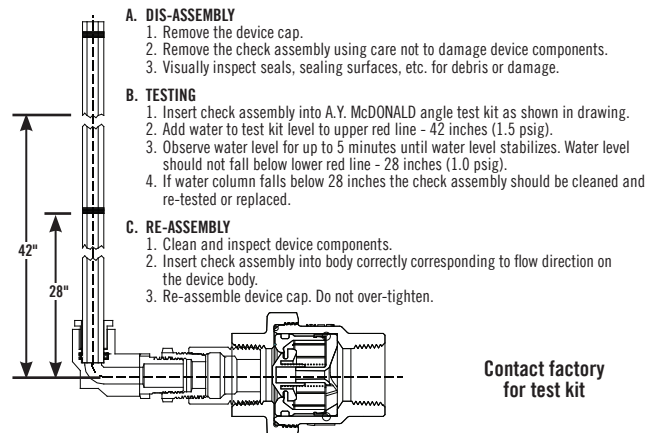
4/22



Installation Instructions Inline Single Check Backflow Preventers/Device

1. Use only for residential and mobile home supply service or individual outlets.
2. The device can be installed in any position.
3. The device shall be installed in an accessible location to facilitate the removal for servicing and testing.
4. Service lines should be thoroughly flushed before installing the device. Excessive pipe sealant or Teflon tape may foul check. A suitable strainer should be installed upstream of the device.
5. DO NOT use Vaseline®, plumber's grease, or any other petroleum based product on seals or O-rings.
6. Insure that device is installed in proper flow direction. Refer to flow direction arrow on body.
7. Do not over-tighten O-ring cap seal or across body cylinder to avoid distortion.
8. Any sweat fittings must be completed before installing device.
9. A pressure relief valve or expansion tank is recommended downstream of device if thermal expansion conditions are possible.
10. Use only on cold water services. Protect from freezing.
11. This device is not recommended for pressures exceeding 175 PSI.

FIELD INSPECTION AND TEST PROCEDURE



WARNING: It is unlawful in CALIFORNIA & VERMONT (effective 1/1/2010); MARYLAND (effective 1/1/2012); LOUISIANA (effective 1/1/2013) and the UNITED STATES OF AMERICA (effective 1/4/2014) to use any product in the installation or repair of any public water system or any plumbing in a facility or system that provides water for human consumption if the wetted surface area of the product has a weighted average lead content greater than 0.25%. This prohibition does not extend to service saddles used in California, Louisiana or under USA Public Law 111-380.

3210-427

800.292.2737 | sales@aymcdonald.com | aymcdonald.com

4/22